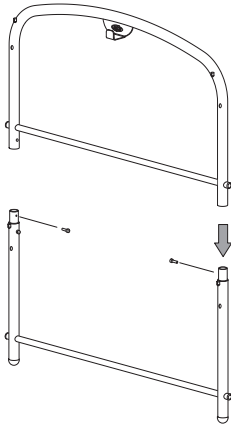
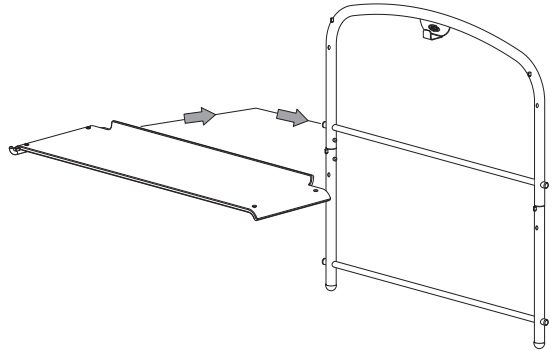


1

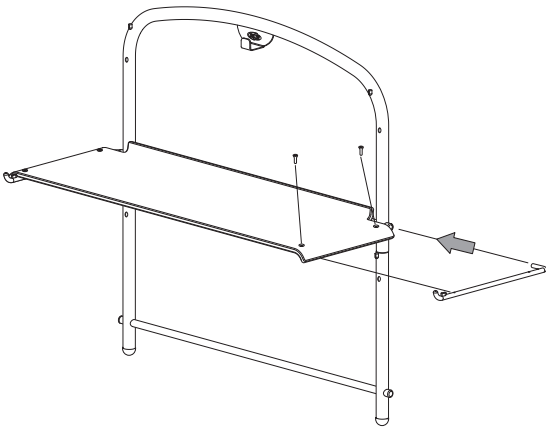


2



NOTE: Mount frame to Wall before attaching shelves

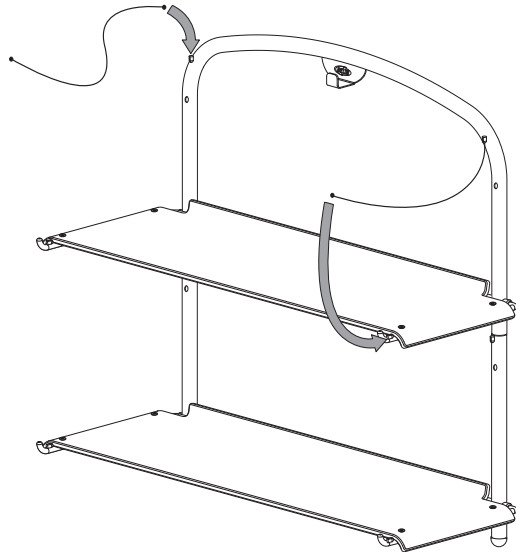
3



4

**IMPORTANT WARNING:**  
**DO NOT EXCEED MAXIMUM**  
**TOTAL WEIGHT LIMIT OF**  
 80 LBS (35 Kgs)

**MAX LOAD Per Shelf**  
 30 LBS (13.5 kgs)



SEE REVERSE SIDE FOR MOUNTING INSTRUCTIONS



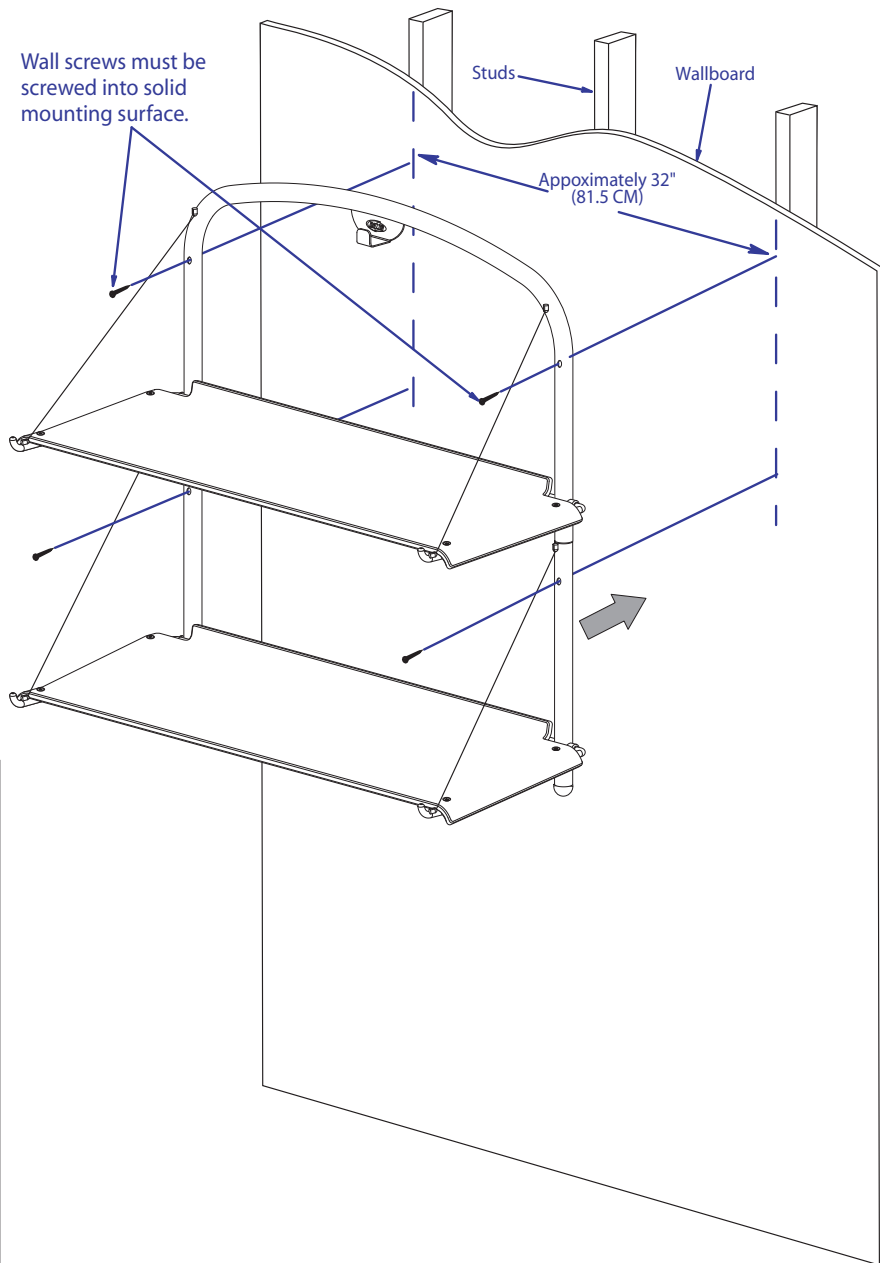
Delta Cycle Corporation  
 21 Cocasset Street  
 Foxborough, MA 02035 USA

**PART:** HOLBEIN-RS9500  
 ASSEMBLY DIAGRAM

© Copyright 2006

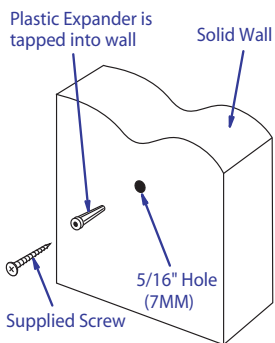
## MOUNTING INSTRUCTIONS

1. Locate Studs behind wallboard.
2. Determine correct height of shelves.
3. Use a spirit level to ensure shelves will be horizontal.
4. Mount frame to wall using 4 screws at mounting holes. ( Note: this may require 2 people)



### Solid Wall Installation

Mark Mounting Points accurately on wall BEFORE drilling any holes.



Delta Cycle Corporation  
21 Cocasset Street  
Foxborough, MA 02035 USA

**PART:** HOLBEIN-RS9500  
ASSEMBLY DIAGRAM

© Copyright 2006