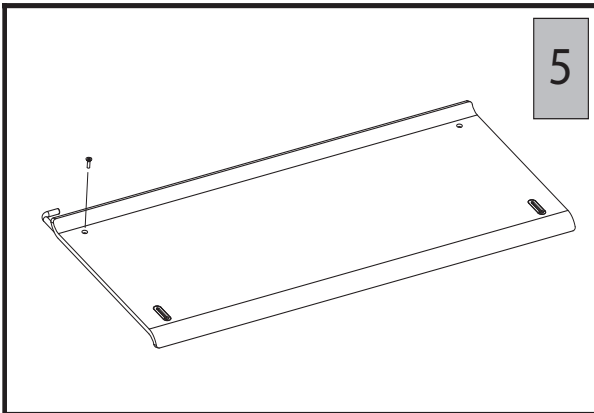


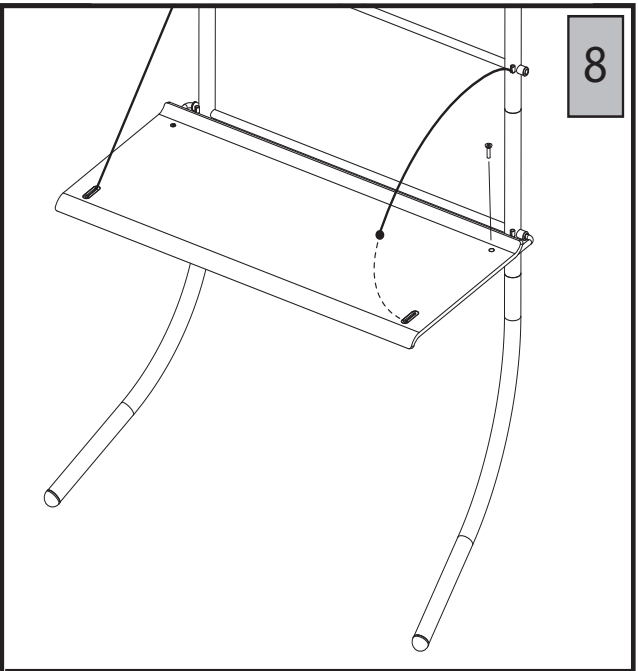
Delta Cycle Corporation
 21 Cocasset Street
 Foxborough, MA 02035 USA

VERMEER RS9100
 ASSEMBLY DIAGRAM

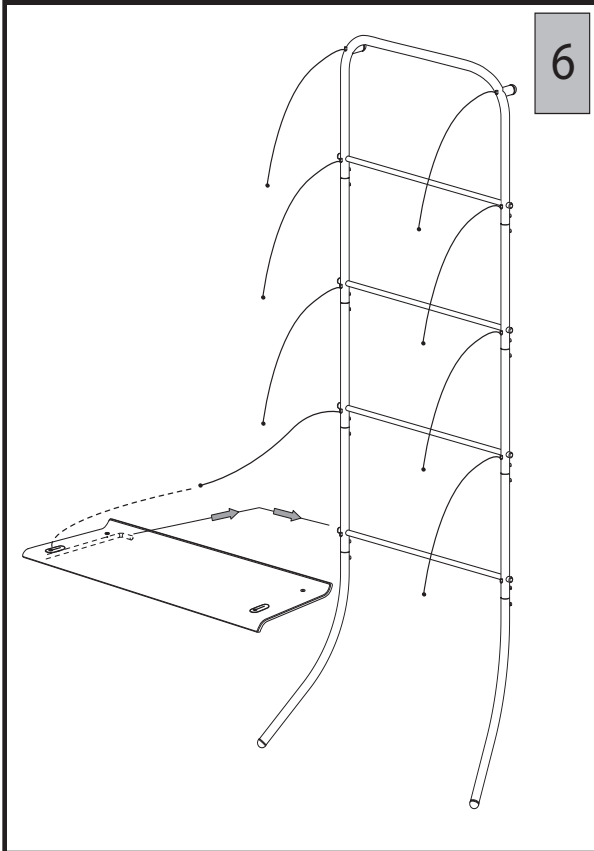
Copyright 2006



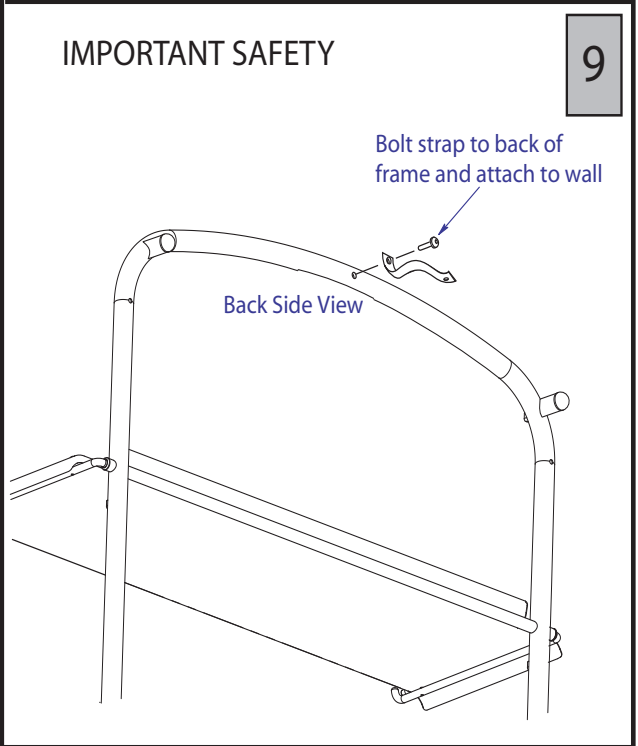
5



8



6



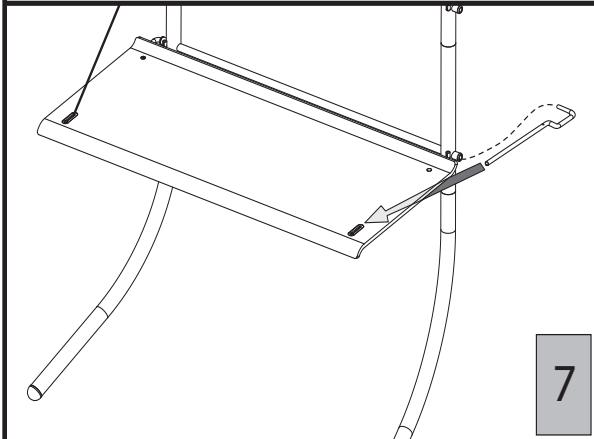
9

IMPORTANT SAFETY

IMPORTANT WARNING:

**DO NOT EXCEED MAXIMUM
TOTAL WEIGHT LIMIT OF
120 LBS (54 Kgs)**

**MAX LOAD Per Shelf
30 LBS (13.5 Kgs)**



7



Delta Cycle Corporation
21 Cocasset Street
Foxborough, MA 02035 USA

VERMEER RS9100
ASSEMBLY DIAGRAM

Copyright 2006