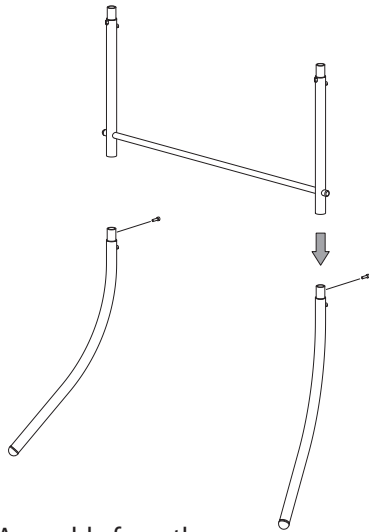
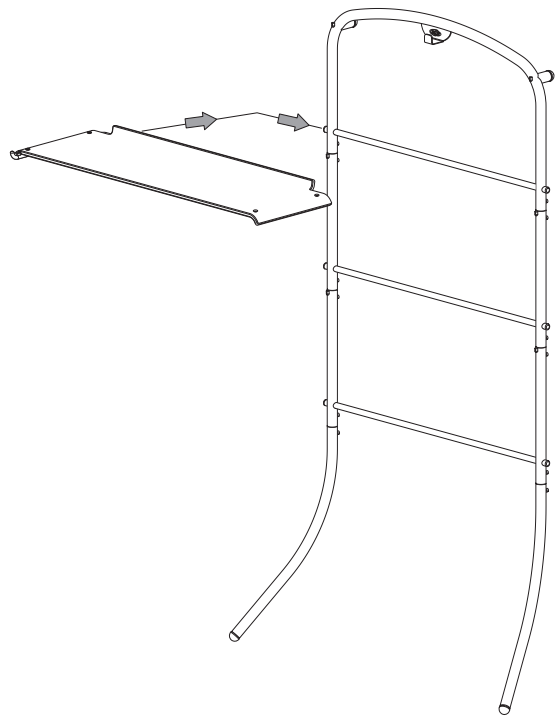


1

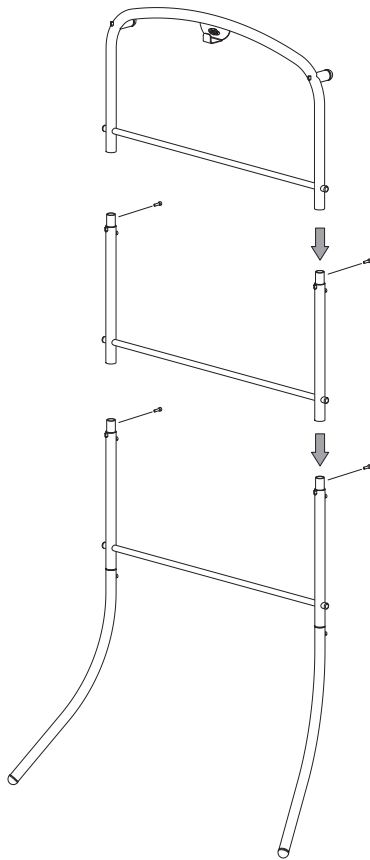


Assemble from the Bottom to Top

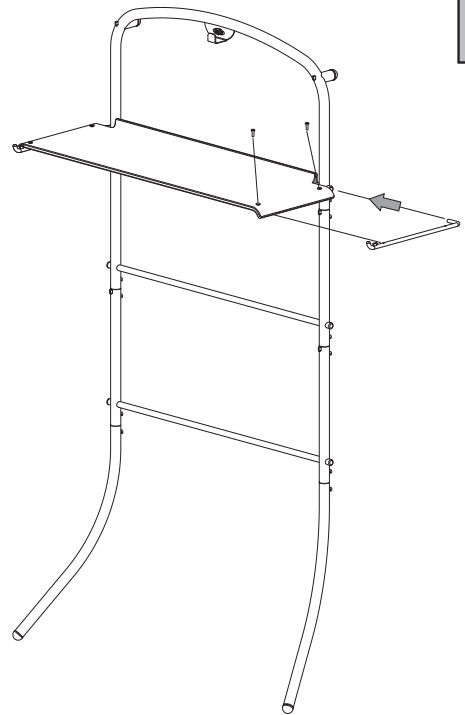
3



2



4

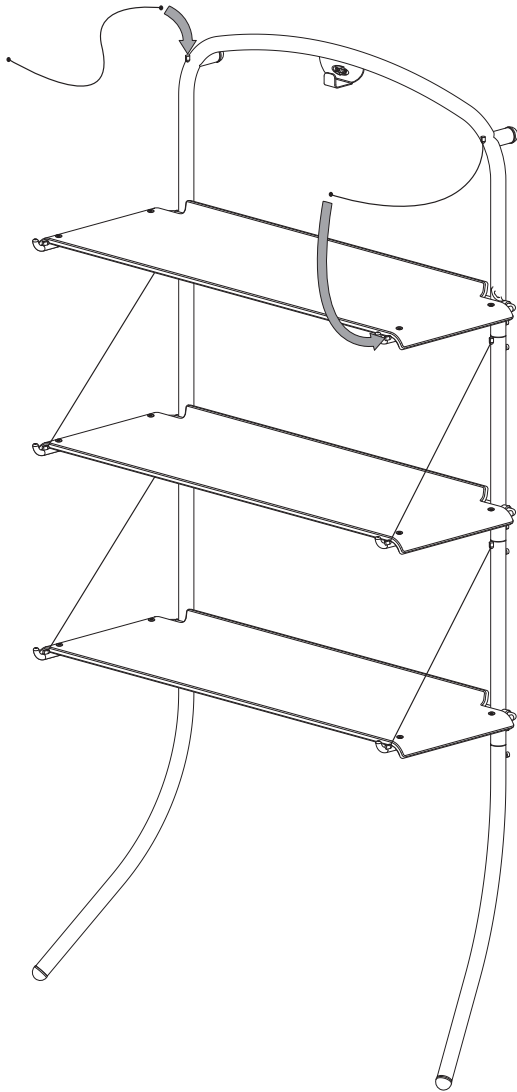


Delta Cycle Corporation
 21 Cocasset Street
 Foxborough, MA 02035 USA

PART: RUBENS -RS9000
 ASSEMBLY DIAGRAM

© Copyright 2006

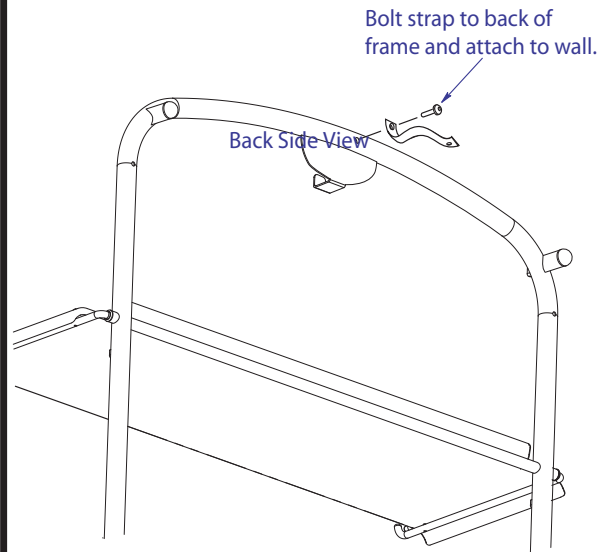
5



IMPORTANT SAFETY

6

In order to avoid accidental toppling of the rack, a wall stabilizing strap is supplied. This should be attached to the rack at one end with the bolt provided. The other end of the strap should be secured to the wall using a wall fixing suitable for the type of wall construction. If in doubt, consult your hardware merchant for the correct method of wall fixing based on the construction of the wall.



IMPORTANT WARNING:

**DO NOT EXCEED MAXIMUM
TOTAL WEIGHT LIMIT OF
90 LBS (41 Kgs)**

**MAX LOAD Per Shelf
30 LBS (13.5 kgs)**



Delta Cycle Corporation
21 Cocasset Street
Foxborough, MA 02035 USA

PART: RUBENS -RS9000
ASSEMBLY DIAGRAM

© Copyright 2006